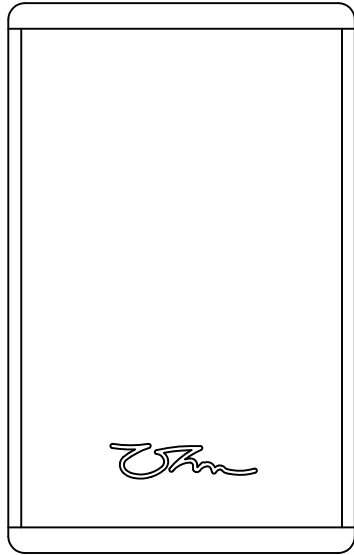
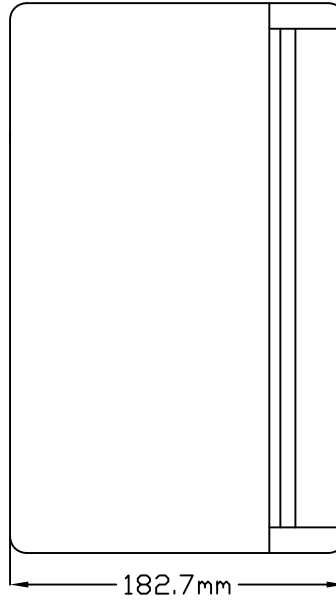


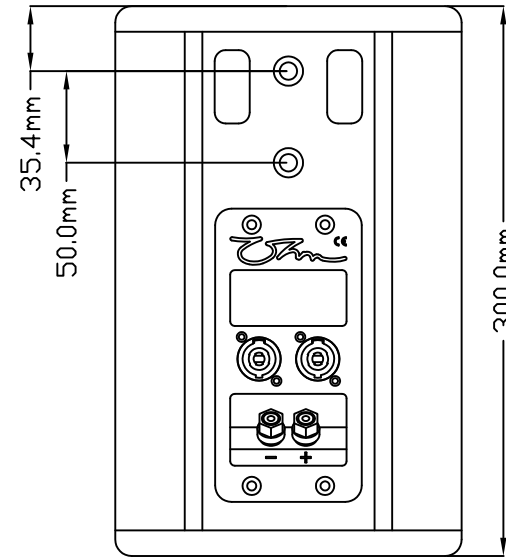
FRONT



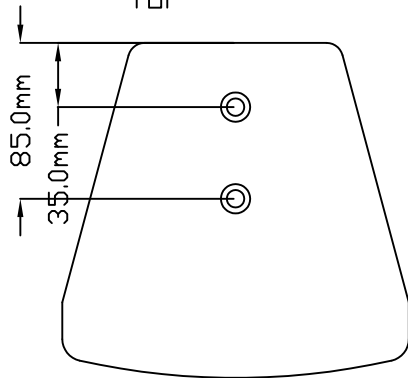
SIDE



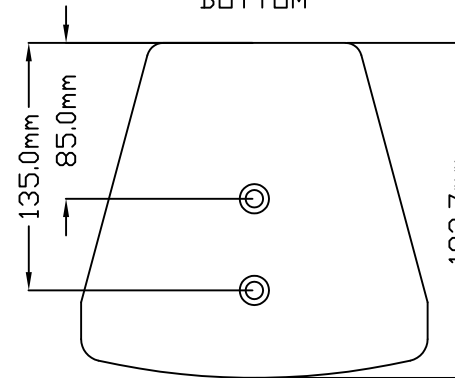
BACK



TOP



BOTTOM



All Dimensions in MM unless otherwise stated.				Finish:	DWG. NO.	COMPANY	
						IDEX LTD	
	NAME:	SIGNATURE:	DATE:			TITLE:	
DRAWN:	ATTHOMAS		07-11-2012			CT-6	
CHK'D						Cabinet	
APPR'V'D							
MFG							
Q .A							
Version						MATERIAL: Birch Ply	WEIGHT
Notes/Changes							
SCALE : 1:1						SHEET 1 OF	