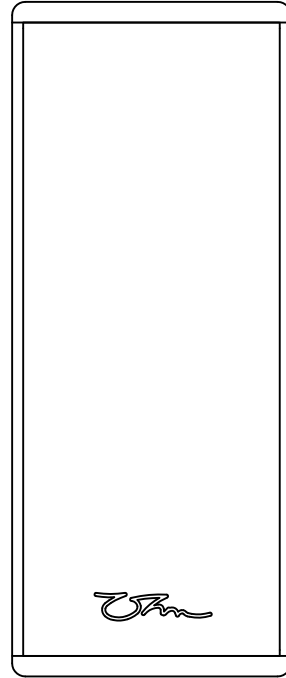
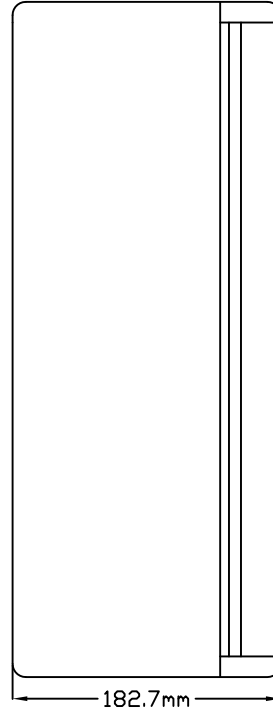


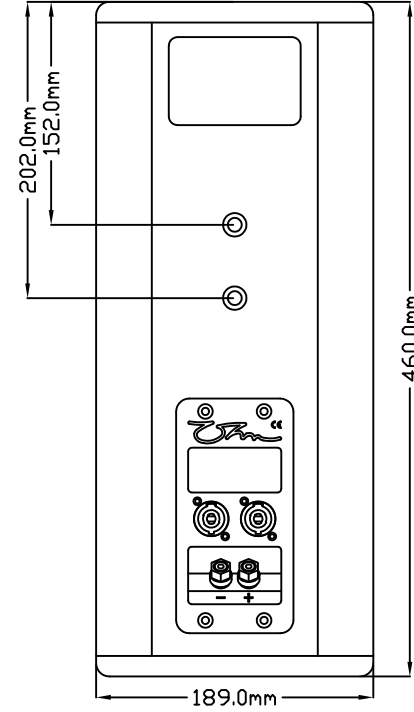
FRONT



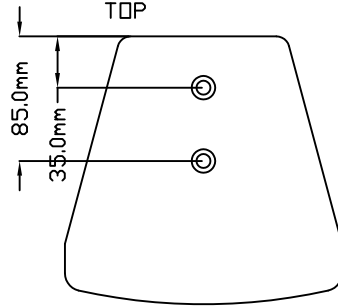
SIDE



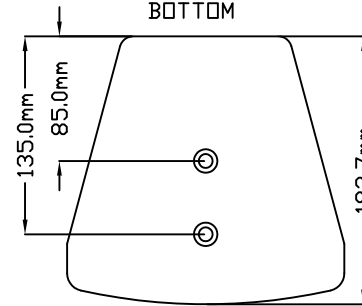
BACK



TOP



BOTTOM



All Dimensions in MM unless otherwise stated.				Finish:	DWG. NO.	COMPANY	
						IDEX LTD	
DRAWN	NAME	SIGNATURE	DATE			TITLE	
CHK'D	ATTHOMAS		07-11-2012			CT-26	
APPRV'D						Cabinet	
MFG							
Q.A							
Version						MATERIAL: Birch Ply	WEIGHT
Notes/Changes							
SCALE: 1:1						SHEET 1 OF	