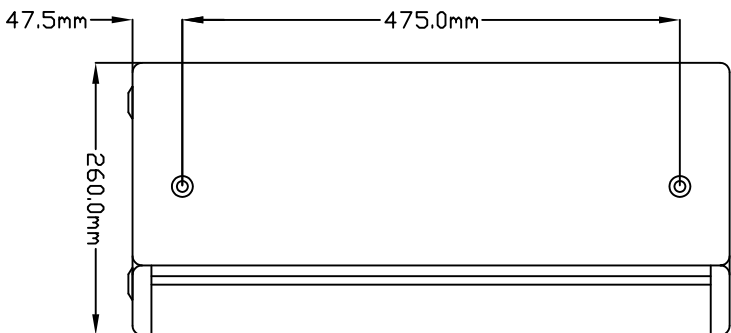


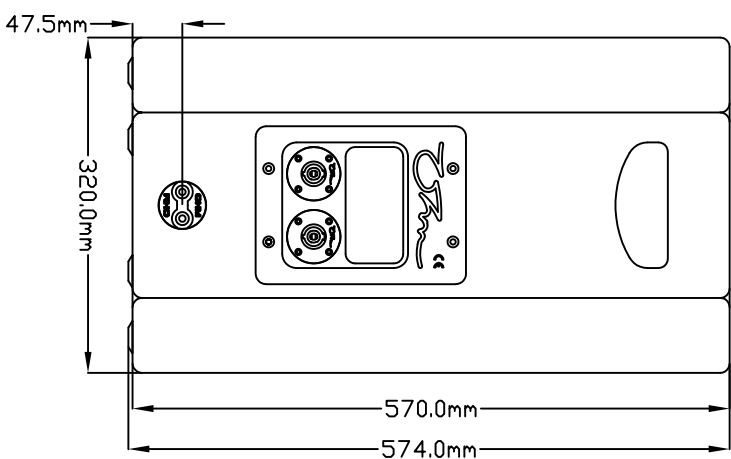
FRONT



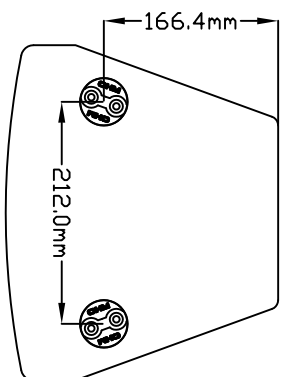
SIDE



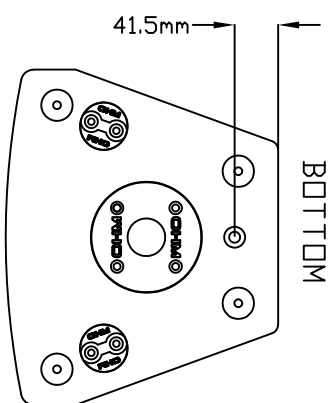
BACK



TOP



BOTTOM



All dimensions in Mill unless otherwise stated.

COMPANY: IDEX LTD

TITLE: CT-10 Cabinet

DRAWN: ATTENDS

DATE: 07-11-2016

SCALE: 1:1

SHEET 1 OF 1

Version: 1

Version	1
Notes/Changes	