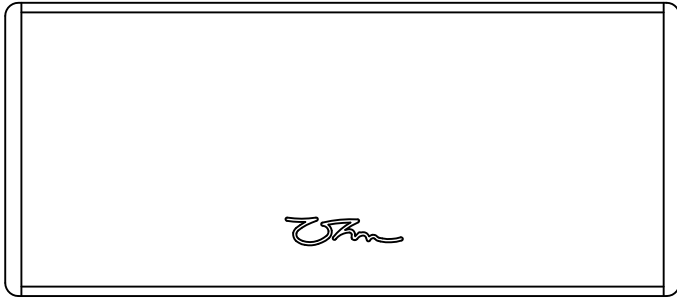
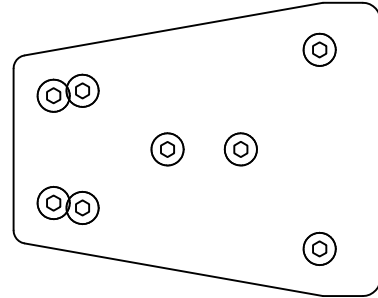


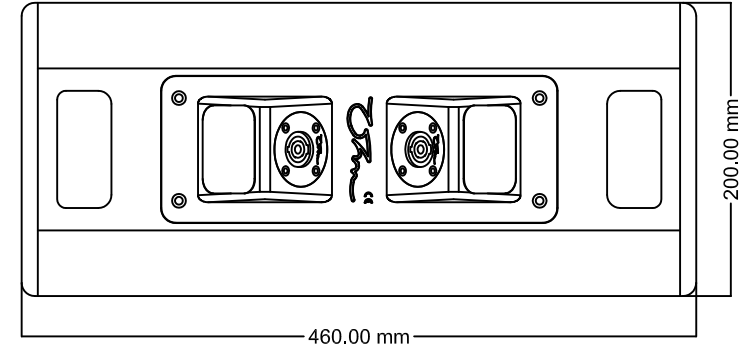
FRONT



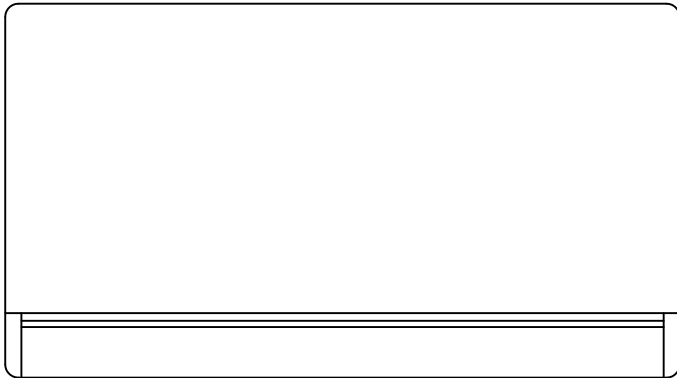
SIDE



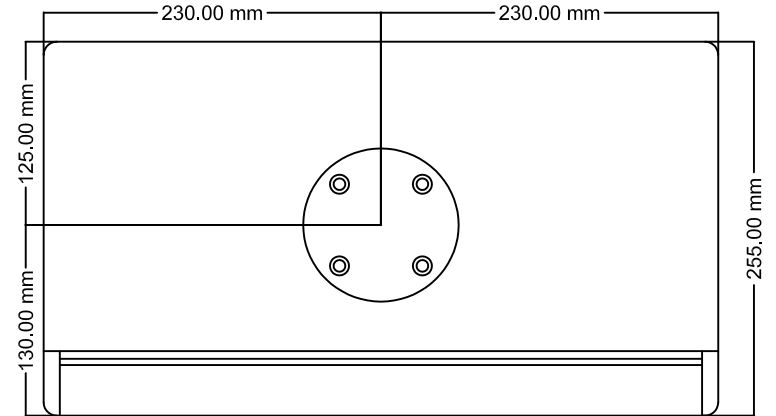
REAR



TOP



BOTTOM



All Dimensions in MM unless otherwise stated.				Finish:	DWG. NO.	COMPANY
						IDEX LTD
	NAME:	SIGNATURE:	DATE:			TITLE:
DRAWN:	ATTHOMAS		18-04-2013			CW-26
CHK'D						Cabinet
APPRVD						
MFG						
Q. A						
Version						MATERIAL: Birch Plywood
Notes/Changes						WEIGHT
						SCALE: 1:1
						SHEET 1 OF