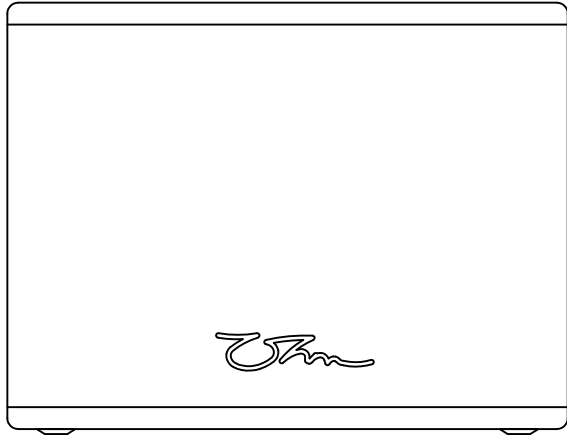
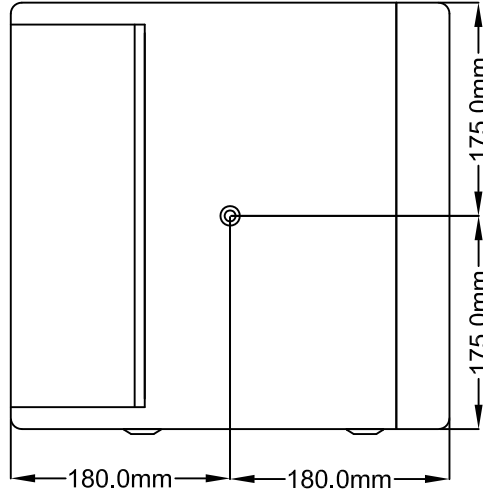


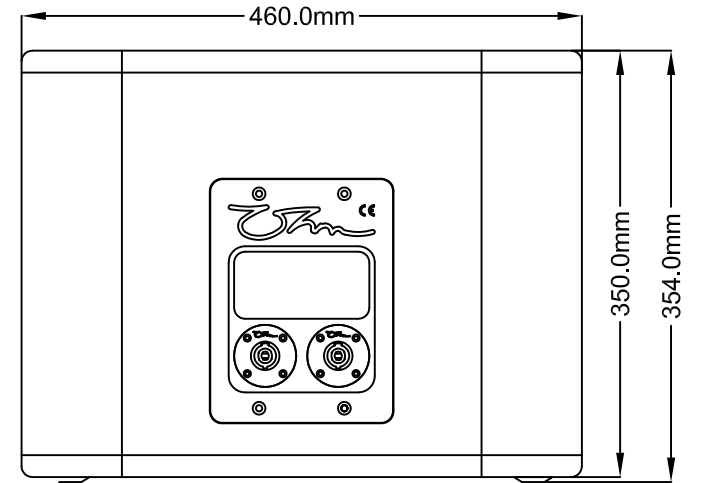
FRONT



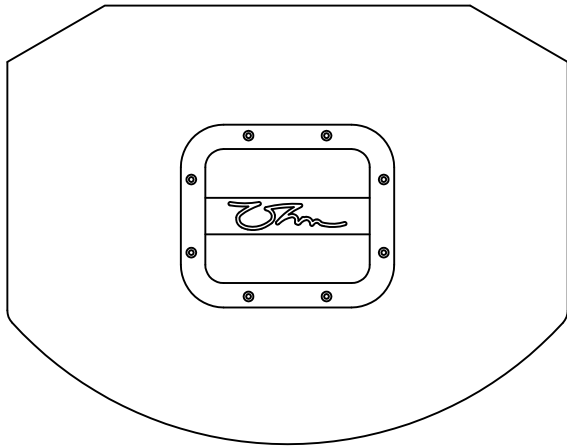
SIDE



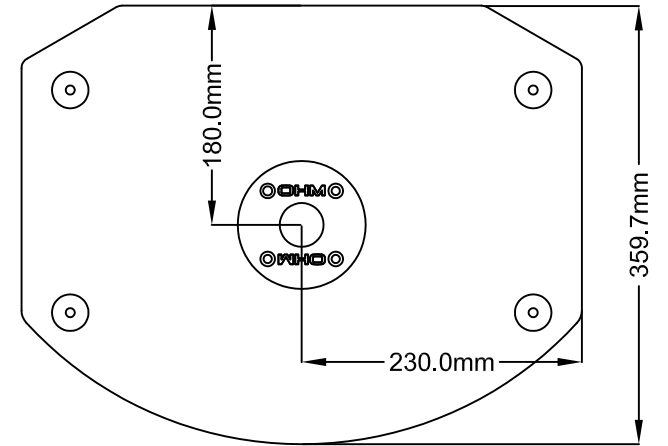
REAR



TOP



BOTTOM



All Dimensions in MM unless otherwise stated.		Part:	DWG. NO.:	COMPANY
				IDEX LTD
DRAWN:	NAME:	SIGNATURE:	DATE:	TITLE:
CHKD:	ATTHOMAS		16-06-2013	CW-28
APP'D:				Cabinet
DES:				MATERIAL: Birch Plywood
D.A:				WEIGHT
Version				
Notes/Changes				SCALE: 1:1
				SHEET 1 OF 1