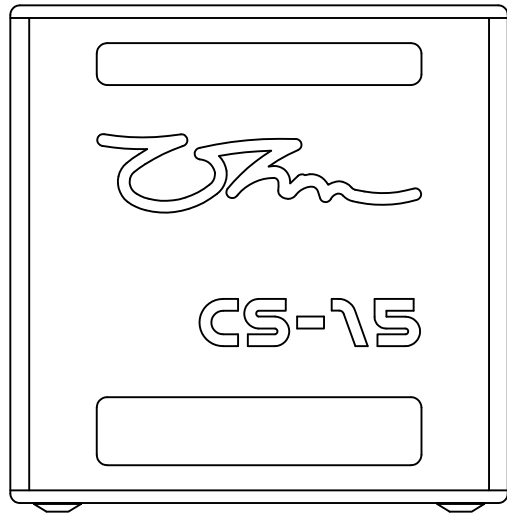
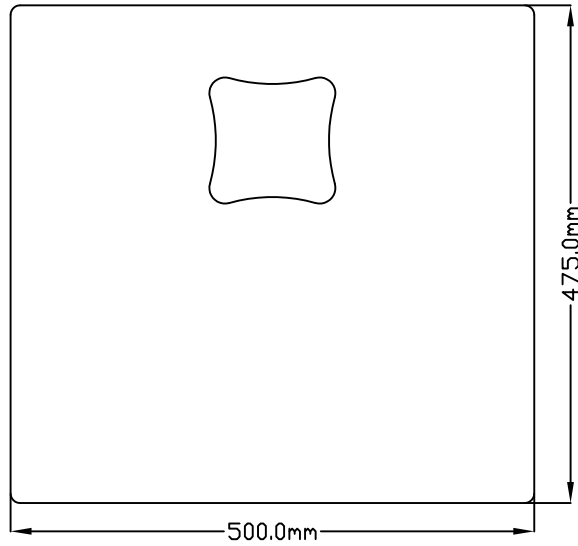


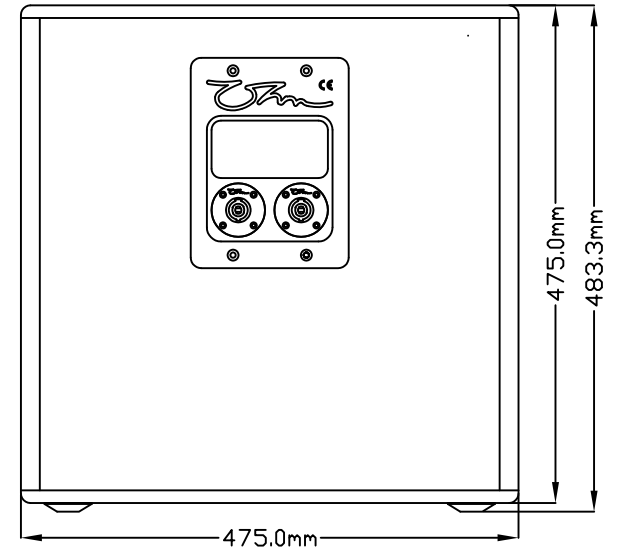
FRONT



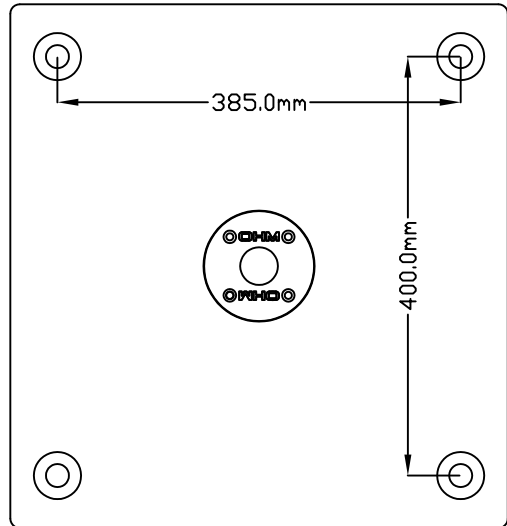
SIDE



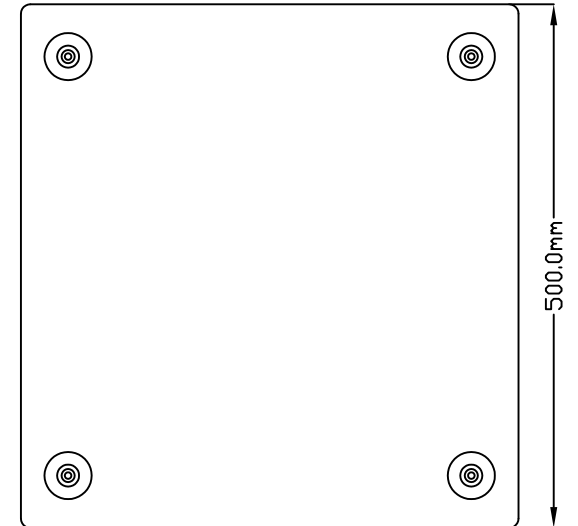
BACK



TOP



BOTTOM



All Dimensions in MM unless otherwise stated.				Finish:	DWG. NO.	COMPANY	
						IDEX LTD	
DRAWN	NAME:	SIGNATURE	DATE:			TITLE	
CHK'D	ATTHOMAS		07-11-2012			CS-15	
APPRV'D						Cabinet	
PIG						MATERIAL: Birch Ply	
ID						WEIGHT	
Version							
Notes/Changes							
						SCALE: 1:1	SHEET 1 OF