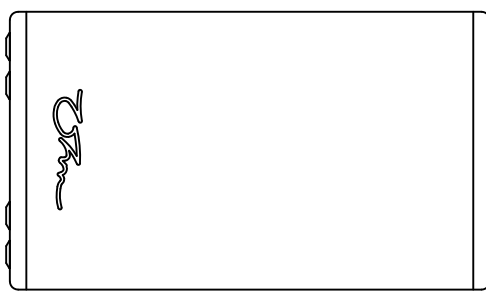
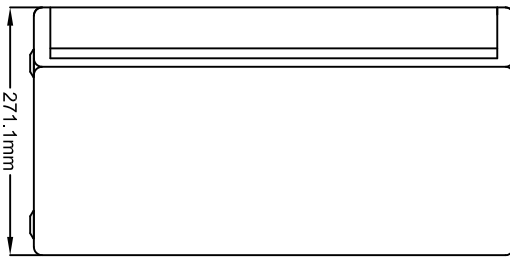


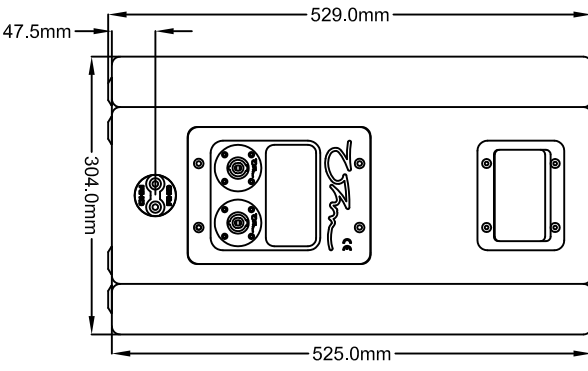
FRONT



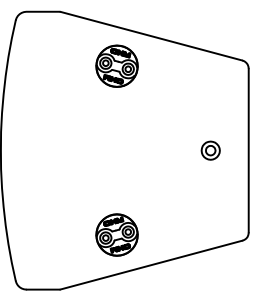
SIDE



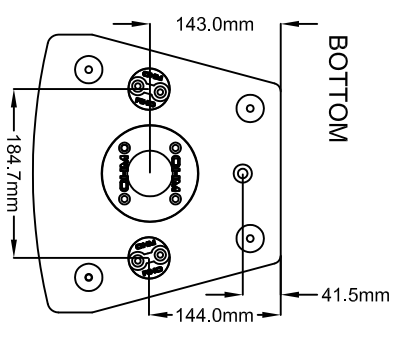
BACK



TOP



BOTTOM



All Dimensions in MM unless otherwise stated.

FINISH

COMP. NR.

COMPANY  
**IDEX LTD**

NAME

STATUS/DRAWN DATE

TITLE  
**BR-10**

DRAWN

ATTORNS

**Cabinet**

DATE

21-06-2010

**Birch Ply**

MATERIAL

Birch Ply

SCALE: 1:1

REVISIONS

NO. DESCRIPTION

SHEET 1 OF 1

DATE