

Features

- *Two way passive cabinet*
- *Application Flexibility*
- *Multiple mounting points*
- *High powered mid high cabinet*

Applications

- *Bars and Nightclubs*
- *Houses of Worship*
- *Small indoor events*
- *Theatres and Performing Arts venues*

Mid-Hi Loudspeaker, Reflex Tuning



The BR series of cabinets is the answer to professional installation needs.

OHM knows that every application is individual and with that in mind we will help you every step of the way to choose the system which most suits your environment. With ever increasing emphasis on aesthetics and the ability to fade into the background being as important as the way the systems sounds, the OHM BR series will provide the solution for any venue from background to dance floor to medium sized auditoriums. From the smallest cabinet, BR-5 up to the largest BR-15 along with perfectly matched subwoofers the BR series provides the highest level of performance with unsurpassed reliability and value for money with complete flexibility and superb sound quality.

BR-12 is a compact high powered mid-hi cabinet containing a proprietary 12" driver and a compression driver with 1.5" exit to rotational CD horn with 60° x 40° dispersion angles. To ensure maximum flexibility and to get the optimum performance the enclosure has 12 carefully positioned mounting points, these with the rotatable horn allows the cabinet to be mounted in any orientation.

Whilst intended mainly as an installation unit the enclosure includes two well placed ergonomic handles allowing easy handling when out on the road. A kick-proof steel grill finished with reticulated black foam and a stainless steel OHM logo means that the components are protected from the rigours of use and whilst being transported. The top hat allows cabinet to be used with various OHM subwoofer cabinets in a sub sat system configuration.

Signal input is via 4 pole Speakon connectors linked through to allow multiple daisy chaining.

All technical data provided is measured using appropriate OHM DSP solution settings.

TECHNICAL SPECIFICATION

Design	Mid High Cabinet, Reflex Tuning.
Impedance	8 Ohm
Power handling AES	500 Watts
Maximum power handling	1000 Watts Program
Sensitivity 2.83v / 1m	99 dB SPL nominal (70 Hz - 19.5 kHz)
Max SPL	125 dB (cont. max SPL / 1m), 131 dB peak
Frequency response -3dB	70 Hz - 19.5 kHz
Crossover frequency	1 kHz
Recommended HPF	60 Hz Butterworth 18 dB per Octave
Dispersion	60° x 40°, Rotational

SYSTEM OPERATION

Recommended Amplification	500W - 1000W @ 8 Ohm
System Controller	OHM DSP Solutions
Speaker Cables	Min 2 x 2.5 mm ² Preferred 2 x 4 mm ²

PRODUCT FEATURES

Components	1 x 12" Low Frequency Woofer , 1 x Neodymium Compression Driver with 1.5" Exit
Crossover	Passive
Connectors	2 x 4 pole Speakon Connectors
Additional Descriptive Data	18 mm birch plywood construction, with durable scratch resistant black textured paint finish, 2 x ergonomic carry handles, kick-proof steel grill finished with reticulated black foam and stainless steel OHM logo.
Rigging	6 x Flying Points plus 6 additional mounting points, 1 x Top Hat for Pole mounting
Dimensions (H x W x D)	665 mm x 377 mm x 340 mm
Weight (Kgs)	29
Colour	Black
Options	Available in white or Ral colours on request.
Hardware	Rubber Feet, Flying Points, Optional Flying Eyes

CONFIGURATION

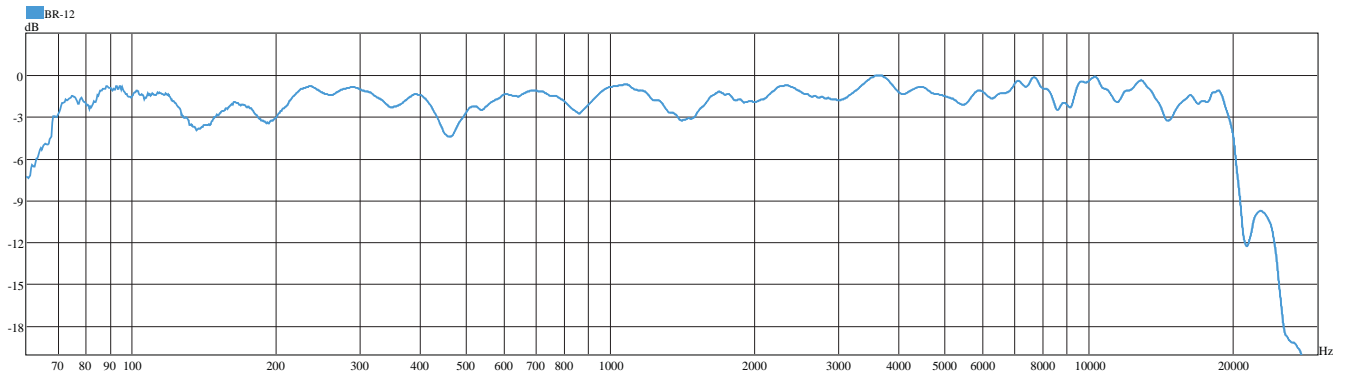
	Transducer	Loading
LF	1 x 12" Low	Reflex
MF / HF	1 x Compression Driver with 1.5" Exit	Horn Loaded

Operating Mode	Amplifier Channels	External Signal Processing
Single	Full operating range	OHM DSP SOLUTIONS

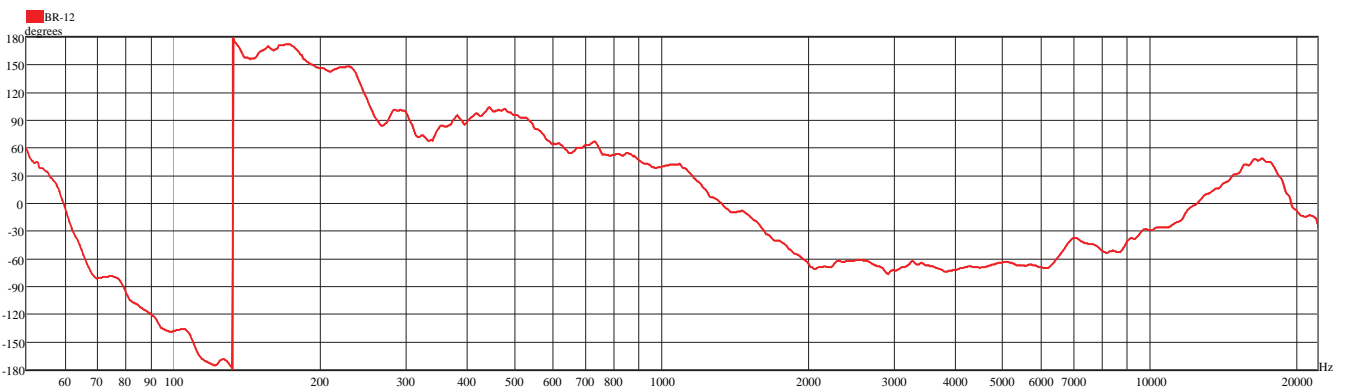
PERFORMANCE

Operating Range (-6 dB)	62 Hz to 20 kHz	
Nominal Beamwidth	Horz 60° Vert 40°	
Axial Sensitivity	FR 99 dB	70 Hz - 19.5 kHz
Input Impedance	Nominal FR 8 Ω	Minimum 5.6 @ 278Hz

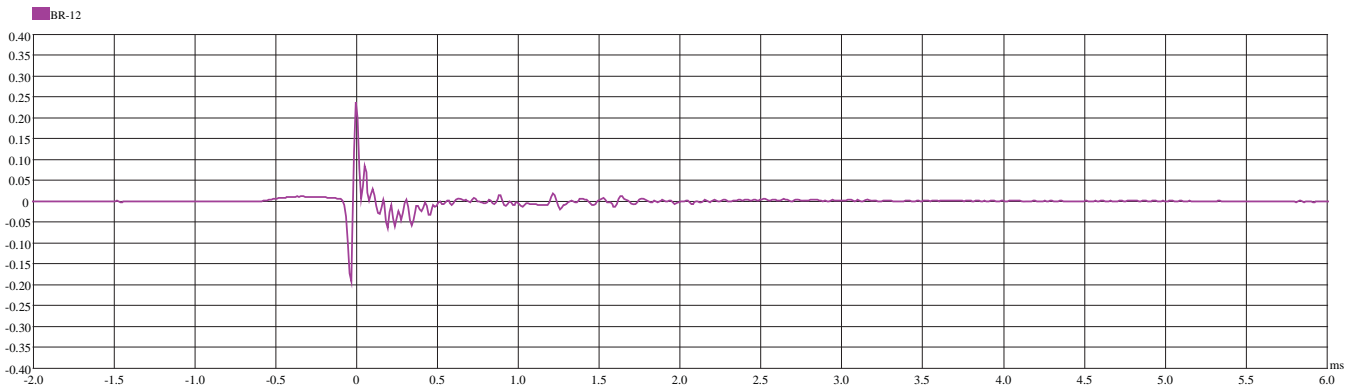
Frequency Response



Phase Response

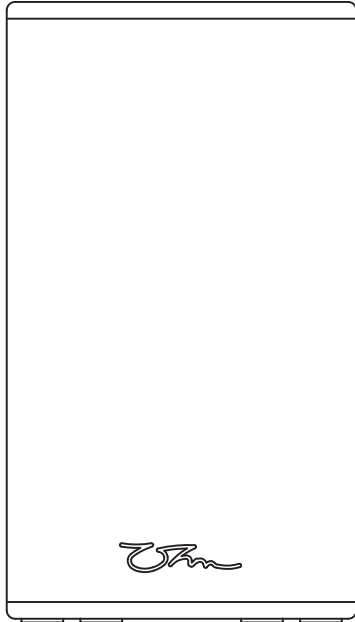


Impulse Response

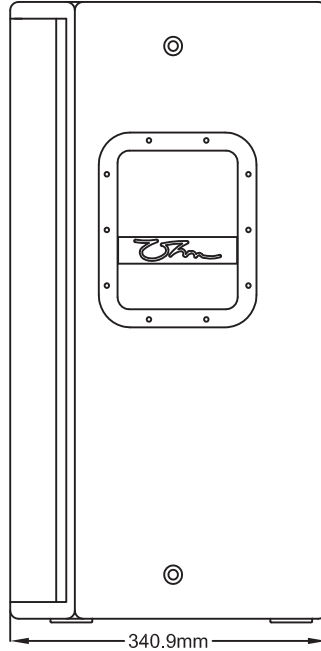


Cabinet Dimensions

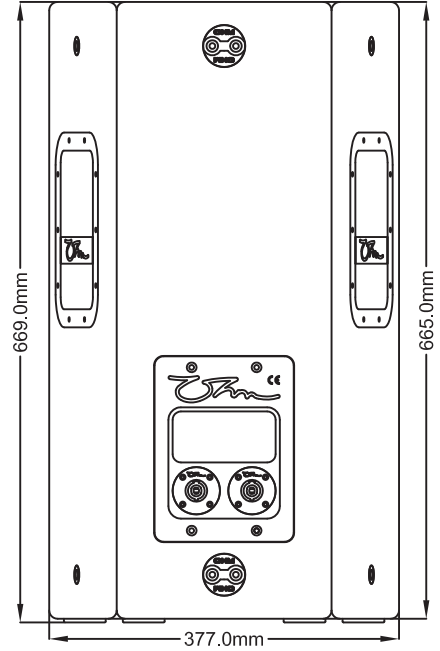
FRONT



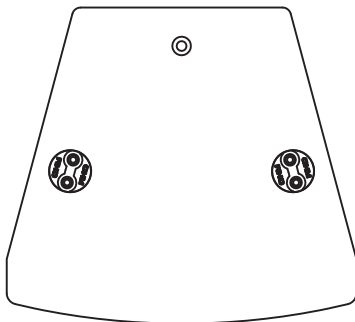
SIDE



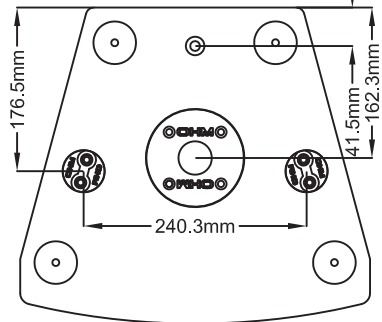
BACK



TOP



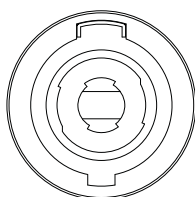
BOTTOM



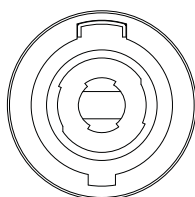
Wiring Information

2 x 4 pole Neutrik Speakon connectors

- 1+ Full Range +
- 1- Full Range -
- 2+ Linked +
- 2- Linked +



INPUT



LINK