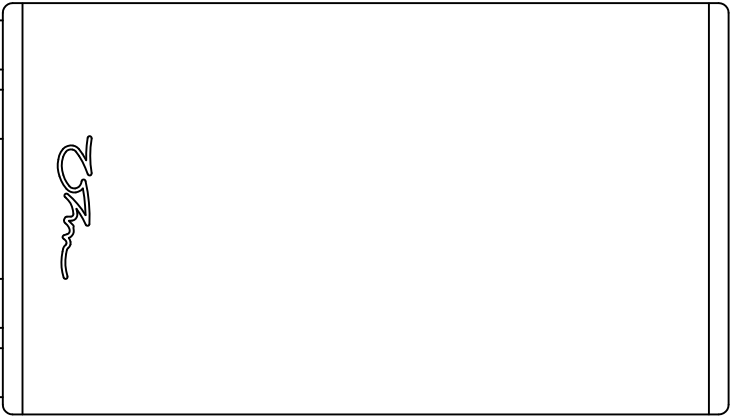
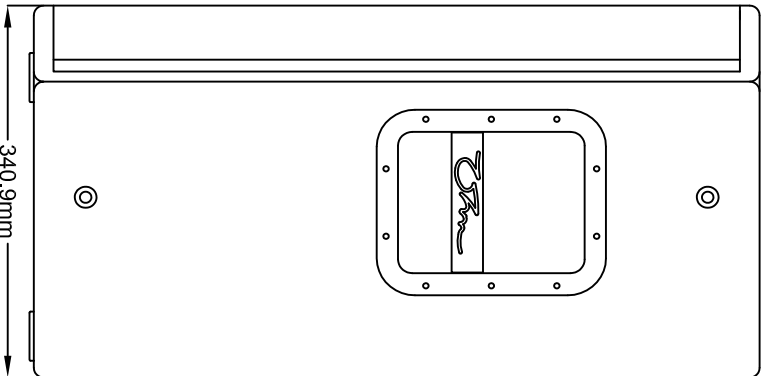


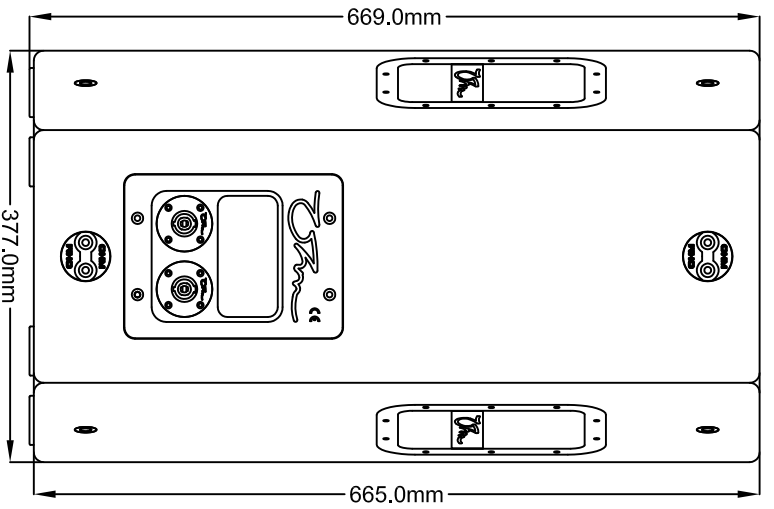
FRONT



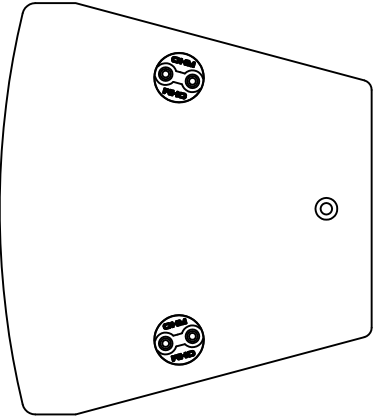
SIDE



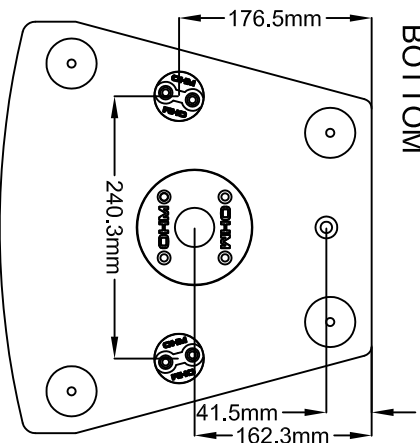
BACK



TOP



BOTTOM



| | | | |
|---------------|-----------|----------------|----------|
| Model No. | BR-12 | Manufacturer | IDEX LTD |
| Material | BIRCH PLY | Product Name | Cabinet |
| Color | | Finish | |
| Weight | | Dimensions | |
| Volume | | Lead Time | |
| Price | | Warranty | |
| Notes | | Comments | |
| Customer Name | | Contact Person | |
| Address | | Phone No. | |
| City | | Email | |
| State | | Website | |
| Country | | Created By | |
| Date | | Created Date | |